

Photon Counters

SR400 — Gated photon counter (2-channel)



SR400 Gated Photon Counter

- **Two independent counting channels**
- **Count rates to 200 MHz**
- **5 ns pulse-pair resolution**
- **Gated and continuous modes**
- **Gate scanning for time-resolved counting**
- **Built-in discriminators**
- **Gate and discriminator outputs**
- **GPIB and RS-232 interfaces**

• **SR400 ... \$5350 (U.S. list)**

The SR400 Dual-Channel Gated Photon Counter offers a convenient, integrated approach to photon counting that avoids the complexity and expense of older counting systems. No longer is it necessary to mix and match amplifiers, discriminators, gate generators and counters. The SR400 combines all these modules into a single, integrated, microprocessor-controlled instrument. Complex measurement tasks such as background subtraction, synchronous detection, source compensation, and pile-up correction can all be performed easily with the SR400.

Counters

The SR400 has two independent channels that can count at rates up to 200 MHz. Different counting modes allow you to count for a fixed amount of time, until a certain number of counts have been received, or for a fixed number of triggers. Each counting channel has its own gate generator which provides counting gates as short as 5 ns or as long as 1 s. The gates can be set in a fixed position relative to the trigger signal, or scanned to measure lifetimes or recover time-varying waveforms.

The actual inputs to the counters can be viewed as NIM level pulses from the discriminator outputs on the front panel. The discriminated pulses are negative going from 0 to -0.7 V. The DISC outputs are very useful when adjusting discriminator thresholds or gate timing.

Signal Inputs and Discriminators

Both analog signal inputs (A and B) are internally terminated into 50 Ω. The inputs accept signals between ±300 mV and are protected to ±5 VDC. Each input is followed by a DC to 300 MHz amplifier, allowing detection of pulses as small as 10 mV. If additional sensitivity is required, a remote preamplifier (like the SR445A) can be used.

Discriminators are provided for each channel with a selectable threshold from -300 mV to +300 mV in 0.2 mV steps. Pulse-pair resolution is 5 ns, and pulses of either polarity may be detected. Each threshold may be programmed to scan in either direction with selectable step size. This can provide a pulse height analysis (PHA) output and is useful for choosing photomultiplier tube bias or discriminator levels.

Count Periods

The SR400 may be programmed to cycle from 1 to 2000 count periods in a single scan. At the end of the programmed scan, the counters may be stopped or the scan may be restarted. Consecutive count periods are separated by a “Dwell Time” which can be set from 2 ms to 60 s. During the Dwell Time,

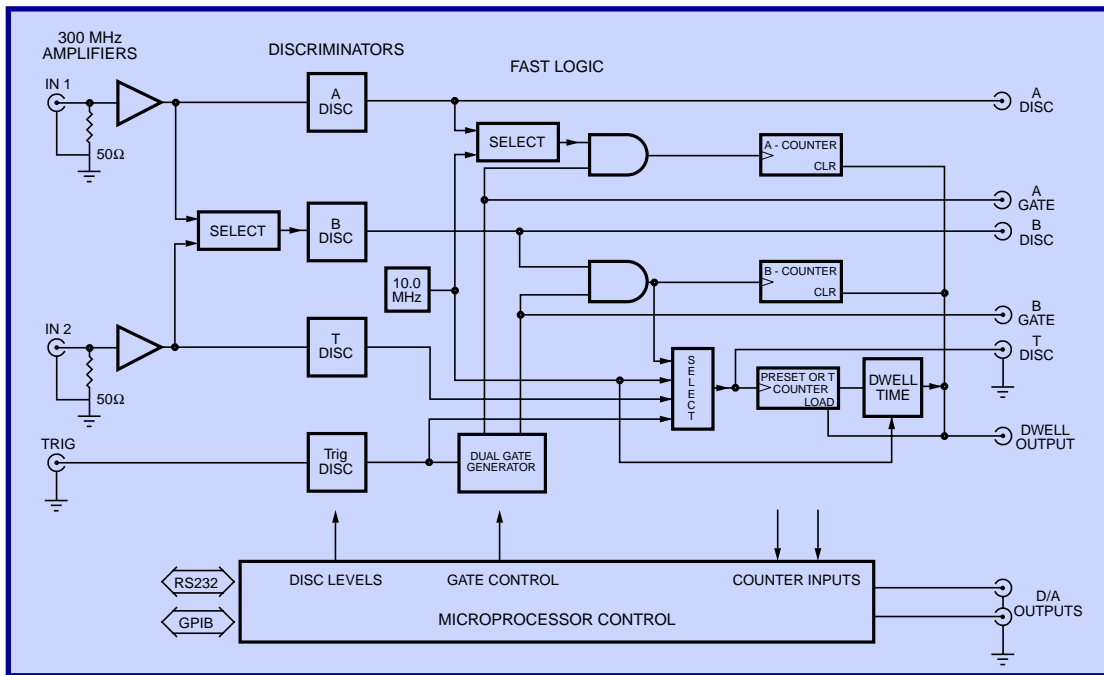
counting is disabled and data may be transferred or external parameters may be changed. The dwell output provides a TTL signal which is high during the dwell time. This can be convenient for interfacing other instruments used in the experiment.

Outputs

The front panel can display counts up to 10⁹. Results from both counters can be displayed individually or combined as A-B or A+B. A front-panel D/A output provides an analog signal proportional to A, B, A-B, or A+B depending on the counting mode. The scale may be logarithmic (1V/decade) or linear.

Computer Interfaces

Built-in RS-232 and GPIB interfaces provide a convenient means of controlling the instrument and retrieving data. While the SR400 is scanning, each of the count values for the A and B counters are stored in a 2000 point internal buffer. This buffer can be transferred on a point-by-point basis, or dumped all at once through either interface.



SR400 Block Diagram

A block diagram of the SR400 is shown above. There are three fast counters identified as counters A, B, and T. All three counters operate at rates up to 200 MHz. The input to each counter is selected from a number of sources which includes the two analog signal inputs, the 10 MHz crystal timebase, and the external trigger input. Counter T can be preset to determine the measurement period. For pulsed experiments, counters A and B may also be synchronized to external events via the two independent gate generators. The gate generator provides gates from 5 ns to 1 s in duration with a delay from an external trigger ranging from 25 ns to 1 s.

Signal Inputs

Bandwidth	DC to 300 MHz
Input impedance	50 Ω
Linear range	± 300 mV (at input)
Input protection	± 5 VDC, 50 V for 1 μ s
Overload recovery	5 ns

Discriminators

Counters A, B, and T have independent discriminators when counting the signal inputs. All discriminator levels may be set to a fixed level or scanned.

Discriminator range	-300 mV to +300 mV
Discriminator slope	Rising or falling
Resolution	0.2 mV
Input offset voltage	<1 mV
Minimum pulse input	10 mV
Pulse-pair resolution	5 ns
Discriminator outputs	NIM levels into 50 Ω
Inhibit input	TTL high stops count

Trigger Input

Impedance	10 k Ω
Threshold	± 2.000 VDC in 1 mV steps
Slope	Rising or falling
Protection	15 VDC, 100 V for 1 μ s

Gate Generators

Both the A and B gates may be fixed in time or scanned. The gate outputs show the positions of the gates with respect to the discriminator outputs.

Insertion delay	25 ns
Maximum delay	999.2 ms
Minimum gate width	5 ns
Maximum gate width	999 ms or CW
Resolution	0.1 %, 1 ns minimum
Accuracy	2 ns + 1 %
Jitter	200 ps rms +100 ppm
Maximum trigger rate	1 MHz
Gate view output	NIM levels into 50 Ω
Gate view error	<2 ns

Scan and Dwell

The number of count periods or data points in a scan may be set from 1 to 2000. The duration of one count period is determined by the preset condition.

The time between consecutive count periods is the dwell time and can be set from 2 ms to 60 s. The dwell output will be TTL high during the dwell time. This output can be used to trigger external devices. At the end of a scan (of 1 to 2000 count periods), counting may be programmed to stop or start the scan over again. The start key begins the first count period of the programmed scan.

The stop key terminates the current count period and pauses the scan. If scanning, gates and disc levels are held at their current values. Pressing the stop key while in a paused condition will reset the scan, and all scanned parameters will return to their start values. Pressing the start key while paused resumes the scan by starting the next count period.

The dwell time may also be set to external. In this mode, count periods begin with the start key or external start input (TTL rising edge). Count periods terminate with the preset condition, the stop key, or the external stop input (TTL rising edge). Pressing the stop key while not counting resets the scan.

All count data is internally buffered for one scan. Data may be read over the computer interfaces during or after a scan.

Display Mode

Continuous	Displays current counter value
Hold	Displays final count value

D/A Output

The front-panel D/A output is proportional (linear or log) to A, B, A-B or A+B, and is updated at the end of each count period. There are two rear-panel D/A outputs: port 1 and port 2. These outputs may be set or scanned from the front panel or via the computer interface.

Full scale	± 10 VDC
Resolution	12 bits (5 mV)
Current rating	10 mA
Output impedance	<1 Ω
Accuracy	0.1 % + 5 mV

General

Interfaces	GPIB and RS-232
Dimensions	16" x 3.5" x 13" (WHD)
Weight	10 lbs.
Power	35 W, 100/120/220/240 VAC, 50/60 Hz
Warranty	One year parts and labor on defects in materials and workmanship



SR400 rear panel

Ordering Information

SR400	Gated photon counter	\$5350
SR445A	350 MHz preamplifier	\$1100

Example 1: Boxcar Mode

This experiment uses a scanning gate to measure the lifetime of an excited state pumped by a pulsed laser. The SR400's gate generators are triggered by a photodiode when the laser fires. Counter A counts photons which occur during a narrow gate, while counter B counts the photons during the entire decay.

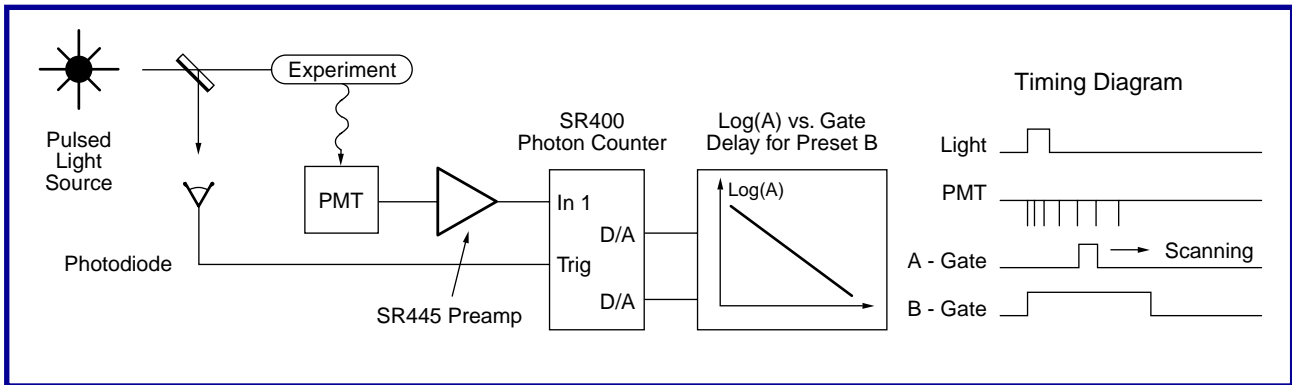
Decay data is normalized to the source intensity by counting until a preset value is reached in counter B. When B reaches its preset condition, the D/A output is set to a voltage proportional to A's count, A's gate is stepped, and a new count interval begins.

By plotting the log of A's count value vs A's gate delay, the exponential decay curve is linearized, and the lifetime of the excited state can be determined from the slope on the chart recorder. If count rates are high and count periods short, then scans may be displayed on an X-Y scope. The D/A output is the Y drive and port 1 or port 2 is the X drive. The dwell output should be used as the blanking pulse.

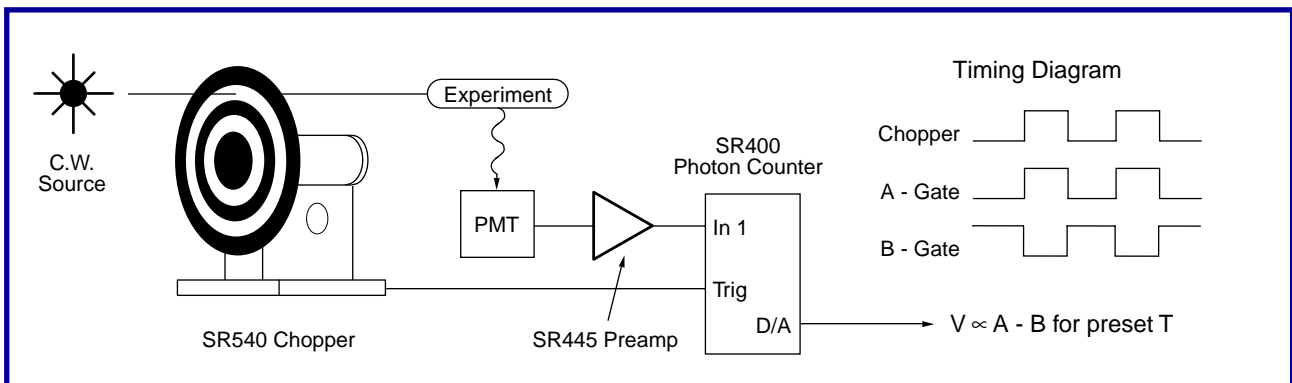
Example 2: Synchronous (Lock-In) Mode

Very small changes in the flux of photons may be measured by synchronous detection. If a signal is fixed in frequency and has a 50 % duty cycle, then synchronous photon counting, or photon counting in a "lock-in" mode, can be used. An optical chopper is used to modulate a CW light source. The reference output from the chopper triggers the photon counter's dual gate generator. The A gate is positioned to count photons during the open phase of the chopper, and thus counts the signal plus background. The B gate only counts the background, counting pulses only during the closed cycle of the chopper. The difference between the two counts, A-B, is the signal. Accumulating data over many cycles is required to measure the signal since the background rate often far exceeds the signal rate.

The D/A output is proportional to A-B. Since the background count is subtracted for each chopper cycle, only the signal which is synchronous with the chopper will cause the output of the photon counter to change.



Boxcar Mode



Lock-In Mode